

Description

The APX823/APX824/APX825A family of supervisors provides circuit initialization and timing supervision, primarily for DSP and processor-based systems.

During power-on, $\overline{\text{RESET}}$ is asserted when supply voltage V_{CC} becomes higher than 1.1V. Thereafter, the supply voltage supervisor monitors V_{CC} and keeps $\overline{\text{RESET}}$ active as long as V_{CC} remains below the threshold voltage V_{TH} . An internal timer delays the return of the output to the inactive state (high) to ensure proper system reset. The delay time, t_d starts after V_{CC} has risen above the threshold voltage V_{TH} . When the supply voltage drops below the threshold voltage V_{TH} , the output becomes active (low) again. No external components are required. All the devices of this family have a fixed-sense threshold voltage V_{TH} set by an internal voltage divider.

The APX823/APX825A devices incorporate a manual reset input, $\overline{\text{MR}}$. A low level at $\overline{\text{MR}}$ causes $\overline{\text{RESET}}$ to become active. The APX824/APX825A devices include a high-level output $\overline{\text{RESET}}$. APX823/APX824/APX825A have a watchdog timer that is periodically triggered by a positive or negative transition at $\overline{\text{WDI}}$. When the supervising system fails to retrigger the watchdog circuit within the time-out interval, t_{tout} , $\overline{\text{RESET}}$ becomes active for the time period t_d . This event also reinitializes the watchdog timer. Leaving $\overline{\text{WDI}}$ unconnected disables the watchdog.

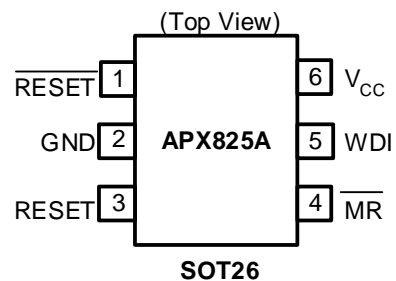
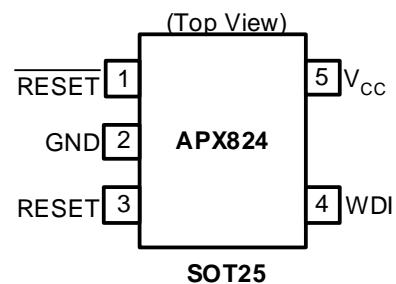
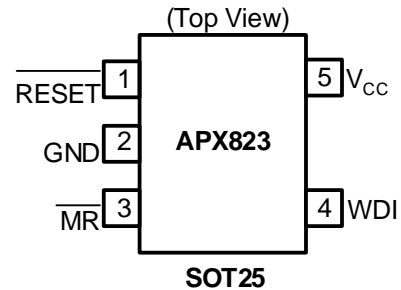
In applications where the input to the $\overline{\text{WDI}}$ pin may be active (transitioning high and low) when the APX823/APX824/APX825A asserting $\overline{\text{RESET}}$ the APX823/APX824/APX825A does not return to a non-reset state when the input voltage is above V_t . The product spectrum is designed for supply voltage of 2.5V, 3V, 3.3V and 5V. The circuits are available in a SOT25 and SOT26 packages. The APX823/APX824/APX825A devices are characterized for operation over a temperature range of -40°C to 105°C .

Features

- Power-on reset generator with fixed delay time of 200ms Typ
- Manual reset input (APX823/APX825A)
- Reset output available in active-low (APX823/APX824/APX825A), active-high (APX824/APX825A)
- Supply voltage supervision range 2.5V, 3V, 3.3V, 5V
- Watchdog timer
- Supply current of 30 μA (Typ.)
- Temperature range: -40°C to 85°C
- SOT25 and SOT26: Available in "Green" Molding Compound (No Br, Sb)
- Lead Free Finish/RoHS Compliant (Note 1)

Note: 1. EU Directive 2002/95/EC (RoHS). All applicable RoHS exemptions applied, see *EU Directive 2002/95/EC Annex Notes*.

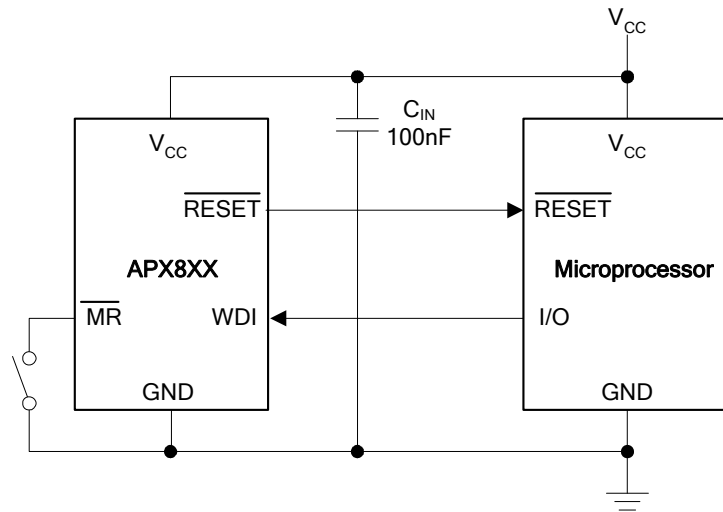
Pin Assignments



Applications

- Applications Using DSPs, Microcontrollers, or Microprocessors
- Industrial Equipment
- Programmable Controls
- Automotive Systems
- Portable/Battery-Powered Equipment
- Intelligent Instruments
- Wireless Communications Systems
- Notebook/Desktop Computers

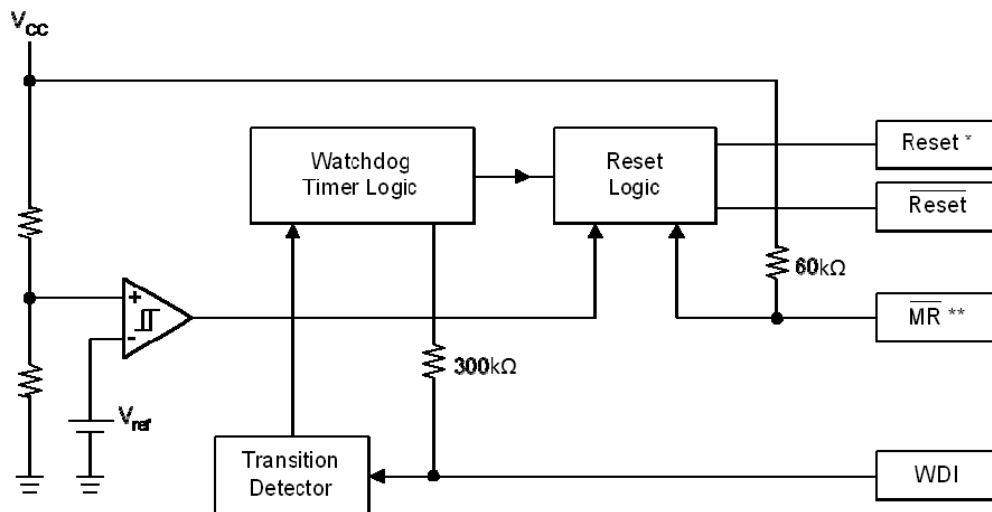
Typical Application Circuit



Pin Descriptions

| Pin Name | Description |
|------------------|-------------------------|
| GND | Ground |
| RESET (RESET) | Reset output pin |
| V _{CC} | Operating voltage input |
| WDI | Watchdog input |
| MR | Manual reset |

Functional Block Diagram



* APX824/APX825A
** APX823/APX825A

Absolute Maximum Ratings (Over operating ambient temperature range, unless otherwise noted)*

| Symbol | Parameter | | Rating | Unit | |
|--------------------|---|--|--------------------------------|------|-------|
| ESD HBM | Human Body Model ESD Protection | | 5 | KV | |
| ESD MM | Machine Model ESD Protection | | 200 | V | |
| V _{CC} | Supply Voltage | | 6.0 | V | |
| V _{RESET} | RESET, $\overline{\text{RESET}}$, $\overline{\text{MR}}$, WDI | | -0.3 to (V _{CC} +0.3) | V | |
| I _{CC} | Input Current V _{CC} | | 20 | mA | |
| I _O | Maximum High Output Current | | 20 | mA | |
| P _D | Continuous Total Power Dissipation | Derating Factor Above T _A = 25°C | SOT25 | 6.2 | mW/°C |
| | | | SOT26 | 5.8 | |
| | | T _A = 25°C Power Rating | SOT25 | 500 | mW |
| | | | SOT26 | 470 | |
| | | T _A = 70°C Power Rating | SOT25 | 220 | mW |
| | | | SOT26 | 210 | |
| | | T _A = 85°C Power Rating | SOT25 | 125 | mW |
| | | | SOT26 | 120 | |
| T _{OP} | Operating Junction Temperature Range | | -40 to 105 | °C | |
| T _{ST} | Storage Temperature Range | | -65 to 150 | °C | |

* Stresses beyond those listed under "absolute maximum ratings" may cause permanent damage to the device. These are stress ratings only, and functional operation of the device at these or any other conditions beyond those indicated under "recommended operating conditions" is not implied. Exposure to absolute-maximum-rated conditions for extended periods may affect device reliability.

Recommended Operating Conditions

| Symbol | Parameter | Min | Max | Unit |
|-----------------|--|-----------------------|------------------------|-------|
| V _{CC} | Supply Voltage | 1.1 | 5.5 | V |
| V _{IN} | Input Voltage | 0 | (V _{CC} +0.3) | V |
| V _{IH} | High-level Input Voltage at $\overline{\text{MR}}$ and WDI | 0.7 × V _{CC} | - | V |
| V _{IL} | Low-level Voltage | - | 0.3 × V _{CC} | V |
| Δt/ΔV | Input Transition Rise and Fall Rate at $\overline{\text{MR}}$ or WDI | - | 100 | ns/V |
| T _A | Operating Ambient Temperature Range | -40 | 85 | °C |
| T _R | V _{CC} Rising Time (V _{CC} = 0~VT) | - | 100 | V/ μS |

Electrical Characteristics (Over recommended operating ambient temperature range, unless otherwise noted)

| Symbol | Parameter | | Test Conditions | Min | Typ. | Max | Unit | | | | | | | | | | | | | | | |
|------------------------------|---|-----------------------------|---|--|------------------------|------|------|------|------|------|------|------|------|------|------|------|------|------|------|------|------|------|
| V _{OH} | High-level Output Voltage | RESET | APX823/APX824/APX825A - 29/26/23 | V _{CC} = V _{TH} + 0.2V I _{OH} = -20μA | 0.8 × V _{CC} | - | - | V | | | | | | | | | | | | | | |
| | | | APX823/APX824/APX825A - 40/31 | V _{CC} = V _{TH} + 0.2V I _{OH} = -30μA | | | | | | | | | | | | | | | | | | |
| | | RESET | APX823/APX824/APX825A - 46/44 | V _{CC} = V _{TH} + 0.2V I _{OH} = -120μA | V _{CC} - 1.5V | - | - | V | | | | | | | | | | | | | | |
| | | | APX824/APX825A - 29/26/23 | V _{CC} ≥ 1.8V, I _{OH} = -100μA | 0.8 × V _{CC} | - | - | V | | | | | | | | | | | | | | |
| APX824/APX825A - 46/44/40/31 | V _{CC} ≥ 1.8V, I _{OH} = -150μA | | | | | | | | | | | | | | | | | | | | | |
| V _{OL} | Low-level Output Voltage | RESET | APX824/APX825A - 29/26/23 | V _{CC} = V _{TH} + 0.2V I _{OL} = 1mA | - | - | 0.4 | V | | | | | | | | | | | | | | |
| | | | APX824/APX825A - 40/31 | V _{CC} = V _{TH} + 0.2V I _{OL} = 1.2mA | | | | | | | | | | | | | | | | | | |
| | | | APX824/APX825A - 46/44 | V _{CC} = V _{TH} + 0.2V I _{OL} = 3mA | | | | | | | | | | | | | | | | | | |
| | | RESET | APX823/APX824/APX825A - 29/26/23 | V _{CC} = V _{TH} - 0.2V I _{OL} = 1mA | - | - | 0.4 | V | | | | | | | | | | | | | | |
| | | | APX823/APX824/APX825A - 40/31 | V _{CC} = V _{TH} - 0.2V I _{OL} = 1.2mA | | | | | | | | | | | | | | | | | | |
| | | | APX823/APX824/APX825A - 46/44 | V _{CC} = V _{TH} - 0.2V I _{OL} = 3mA | | | | | | | | | | | | | | | | | | |
| V _{RESET} | Power-up Reset Voltage (see Note 2) | | V _{CC} ≥ 1.1V, I _{OL} = 20μA | - | - | 0.4 | V | | | | | | | | | | | | | | | |
| V _{TH-} | Negative-going Input Threshold Voltage (see Note 3) | T _A = 0°C - 85°C | APX823/APX824/APX825A - 23 | 2.21 | 2.25 | 2.30 | V | | | | | | | | | | | | | | | |
| | | | APX823/APX824/APX825A - 26 | | | | | 2.59 | 2.63 | 2.69 | | | | | | | | | | | | |
| | | | APX823/APX824/APX825A - 29 | | | | | | | | 2.88 | 2.93 | 3.00 | | | | | | | | | |
| | | | APX823/APX824/APX825A - 31 | | | | | | | | | | | 3.02 | 3.08 | 3.15 | | | | | | |
| | | | APX823/APX824/APX825A - 40 | | | | | | | | | | | | | | 3.93 | 4.00 | 4.08 | | | |
| | | | APX823/APX824/APX825A - 44 | | | | | | | | | | | | | | | | | 4.31 | 4.38 | 4.47 |
| | | | APX823/APX824/APX825A - 46 | | | | | | | | | | | | | | | | | | | |
| | | APX823/APX824/APX825A - 23 | 2.20 | 2.25 | 2.30 | | | | | | | | | | | | | | | | | |
| | | APX823/APX824/APX825A - 26 | | | | 2.57 | 2.63 | 2.69 | | | | | | | | | | | | | | |
| | | APX823/APX824/APX825A - 29 | | | | | | | 2.86 | 2.93 | 3.00 | | | | | | | | | | | |
| | | APX823/APX824/APX825A - 31 | | | | | | | | | | 3.00 | 3.08 | 3.15 | | | | | | | | |
| | | APX823/APX824/APX825A - 40 | | | | | | | | | | | | | 3.92 | 4.00 | 4.08 | | | | | |
| | | APX823/APX824/APX825A - 44 | | | | | | | | | | | | | | | | 4.29 | 4.38 | 4.47 | | |
| | | APX823/APX824/APX825A - 46 | | | | | | | | | | | | | | | | | | | 4.54 | 4.63 |

Note: 2. The lowest supply voltage at which RESET becomes active. T_R, V_{CC} ≥ 15μs/V.
3. To ensure best stability of the threshold voltage, a bypass capacitor (ceramic, 0.1μF) should be placed near the supply terminals.

Electrical Characteristics (cont.)

| Symbol | Parameter | | Test Conditions | Min | Typ. | Max | Unit |
|---------------|--|--|--|-----|------|-----|------------------|
| V_{hys} | Hysteresis at V_{CC} Input | APX823/APX824/APX825A -23 | | - | 50 | - | mV |
| | | APX823/APX824/APX825A -26 | | | | | |
| | | APX823/APX824/APX825A -29 | | | | | |
| | | APX823/APX824/APX825A -31 | | | | | |
| | | APX823/APX824/APX825A -40 | | | | | |
| | | APX823/APX824/APX825A -44 | | | | | |
| | | APX823/APX824/APX825A -46 | | | | | |
| T_S | Set-up Time | $V_{CC} = V_{TH}$ to $(V_{TH} - 100mV)$ | | | 20 | | μs |
| $I_{IH(AV)}$ | Average High-level Input Current | WDI | WDI= V_{CC} , Time average (dc=88%) | - | 120 | - | μA |
| $I_{IL(AV)}$ | Average Low-level Input Current | | WDI=0.3V, V_{CC} =5.5V time average (dc=12%) | - | -15 | - | μA |
| I_{IH} | High-level Input Current | WDI | WDI= V_{CC} | - | 120 | 160 | μA |
| I_{IL} | Low-level Input Current | WDI | WDI=0.3V, V_{CC} =5.5V | - | 120 | 160 | μA |
| I_{CC} | Supply Current | WDI and \overline{MR} Unconnected, Outputs unconnected | $V_{CC} = \overline{V_{TH}}+0.2V$ | - | 30 | 40 | μA |
| | Internal Pull-up Resistor at \overline{MR} | | | - | 60 | - | k Ω |
| TC | V_{OUT} Temperature Coefficient | | | | 50 | - | ppm/ $^{\circ}C$ |
| C_i | Input Capacitance at \overline{MR} , WDI | | $V_I = 0V$ to 5.5V | - | 5 | - | pF |
| θ_{JA} | Thermal Resistance Junction-to-Ambient | | SOT25 (Note 4) | | 161 | | $^{\circ}C/W$ |
| | | | SOT26 (Note 4) | | 169 | | |
| θ_{JC} | Thermal Resistance Junction-to-Case | | SOT25 (Note 4) | | 27 | | $^{\circ}C/W$ |
| | | | SOT26 (Note 4) | | 28 | | |

Note: 4. Test condition for SOT25 and SOT26: Devices mounted on FR-4 substrate PC board, 2oz copper, with minimum recommended pad layout.

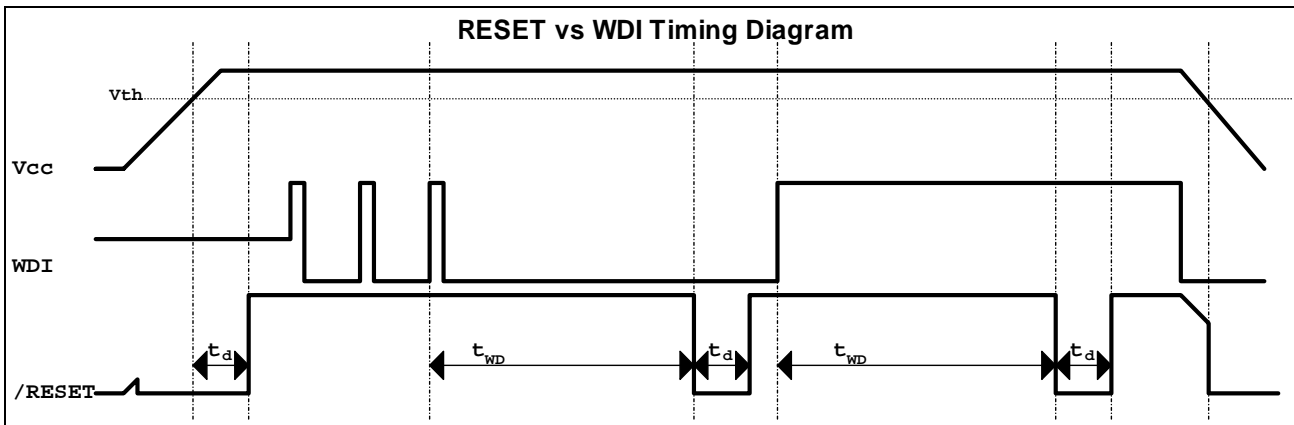
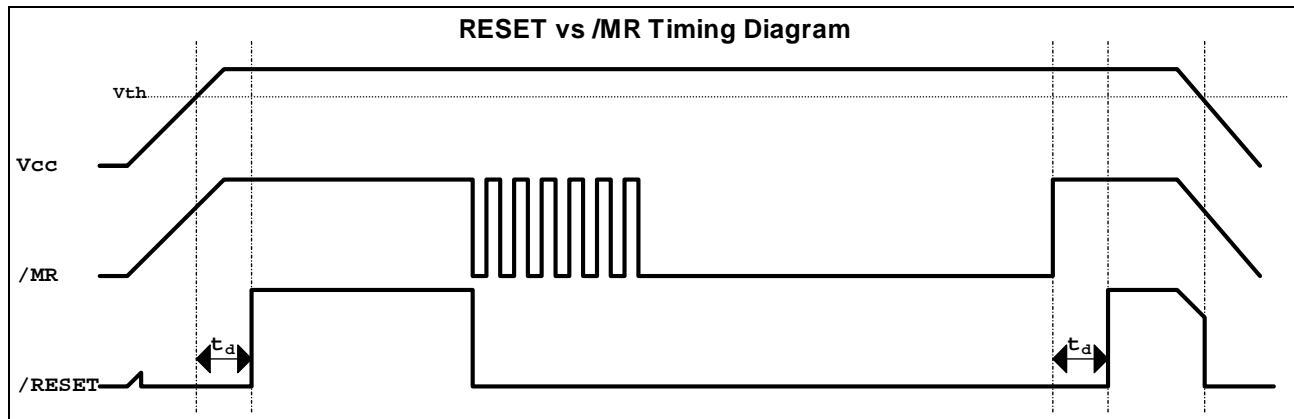
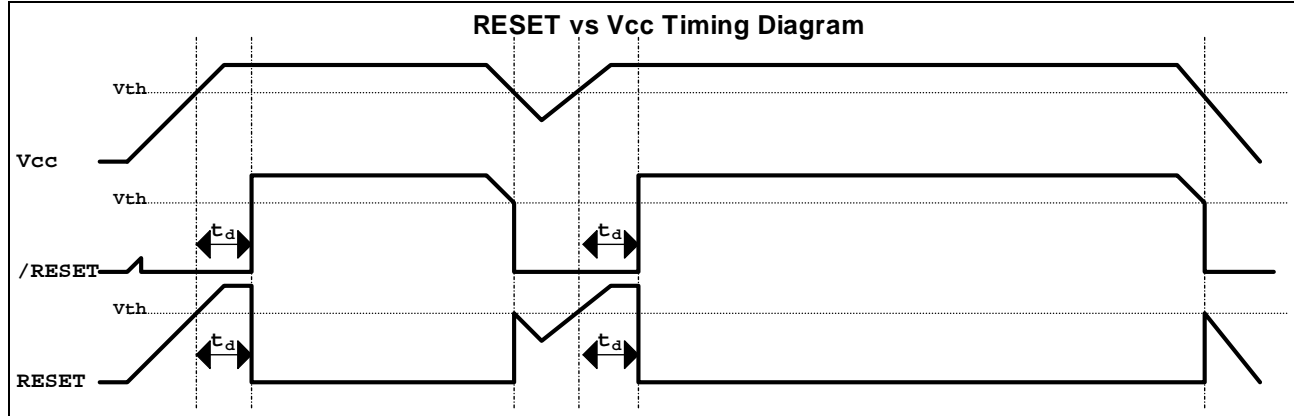
Timing Requirements (@ $R_L = 1\text{m}\Omega$, $C_L = 50\text{pF}$, $T_A = 25^\circ\text{C}$)

| Symbol | Parameter | Test Conditions | Min | Typ. | Max | Unit | |
|--------|-------------|----------------------------|--|------------|-----|------|----|
| t_w | Pulse Width | at $\overline{\text{MR}}$ | $V_{CC} \geq \underline{V_{TH}} + 0.2\text{V}$, $V_{IL} = 0.3 \times V_{CC}$, $V_{IH} = 0.7 \times V_{CC}$ | <u>100</u> | - | - | ns |
| | | at $\overline{\text{WDI}}$ | $V_{CC} \geq \underline{V_{TH}} + 0.2\text{V}$, $V_{IL} = 0.3 \times V_{CC}$, $V_{IH} = 0.7 \times V_{CC}$ | <u>50</u> | - | - | ns |

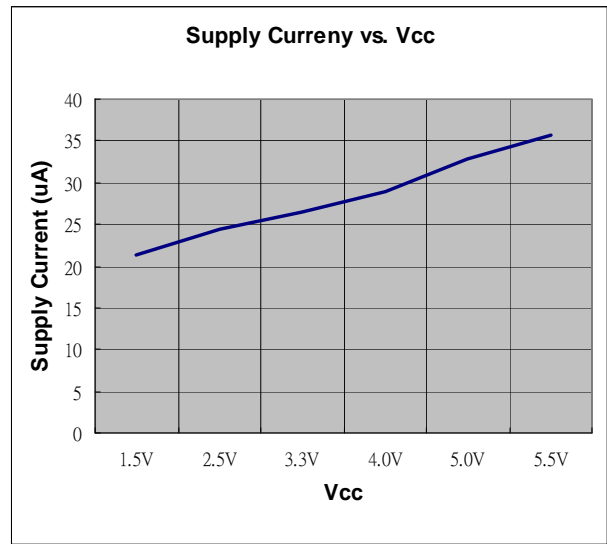
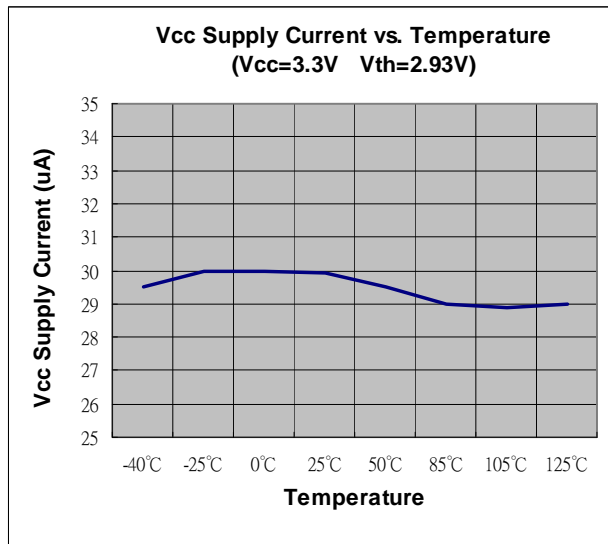
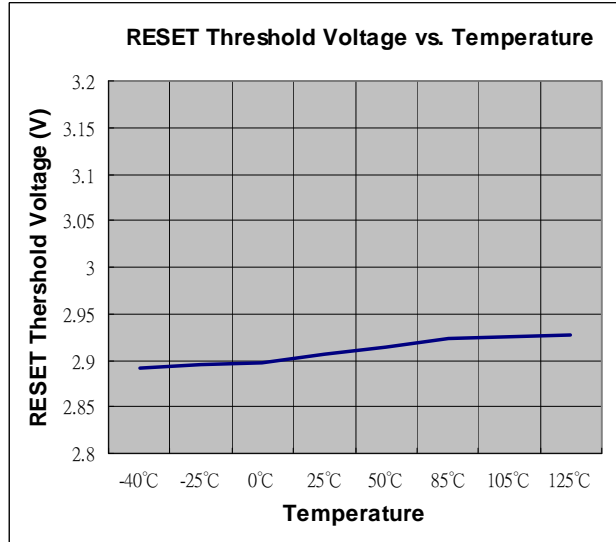
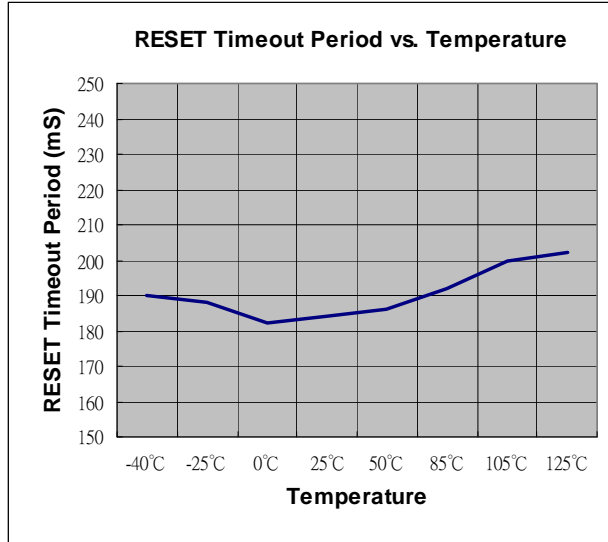
Switching Characteristics (@ $R_L = 1\text{m}\Omega$, $C_L = 50\text{pF}$, $T_A = 25^\circ\text{C}$)

| Symbol | Parameter | Test Conditions | Min | Typ. | Max | Unit | |
|------------------|--|---|---|------|------------|------|---------------|
| t_{out} | Watchdog Time Out | APX823/APX824/APX825A $V_{CC} \geq \underline{V_{TH}} + 0.2\text{V}$, See timing diagram | <u>1.12</u> | 1.6 | <u>2.4</u> | s | |
| t_d | Delay Time | APX823/APX824/APX825A $V_{CC} \geq \underline{V_{TH}} + 0.2\text{V}$, See timing diagram | 140 | 200 | 280 | ms | |
| t_{PHL} | Propagation (Delay) Time, High-to-low-level Output | $\overline{\text{MR}}$ to $\overline{\text{RESET}}$ delay (APX823/APX825A) | $V_{CC} > \underline{V_{TH}} + 0.2\text{V}$, $V_{IL} = 0.3 \times V_{CC}$, $V_{IH} = 0.7 \times V_{CC}$ | - | - | 0.1 | μs |
| | | V_{CC} to $\overline{\text{RESET}}$ delay | $V_{IL} = \underline{V_{TH}} - 0.2\text{V}$, $V_{IH} = \underline{V_{TH}} + 0.2\text{V}$ | - | - | 25 | μs |
| t_{PLH} | Propagation (Delay) Time, Low-to-high-level Output | $\overline{\text{MR}}$ to $\overline{\text{RESET}}$ delay (APX824/APX825A) | $V_{CC} > \underline{V_{TH}} + 0.2\text{V}$, $V_{IL} = 0.3 \times V_{CC}$, $V_{IH} = 0.7 \times V_{CC}$ | - | - | 0.1 | μs |
| | | V_{CC} to $\overline{\text{RESET}}$ delay (APX824/APX825A) | $V_{IL} = \underline{V_{TH}} - 0.2\text{V}$, $V_{IH} = \underline{V_{TH}} + 0.2\text{V}$ | - | - | 25 | μs |

Timing Diagram






Typical Characteristics



Ordering Information

APX82 XX - XX XX G - Z

| Part No. | Voltage | Package | Green | Packing |
|--------------|-----------|------------|-----------|-----------------|
| 3 : APX823 | 46 : 4.63 | W5 : SOT25 | G : Green | 7 : Tape & Reel |
| 4 : APX824 | 44 : 4.38 | W6 : SOT26 | | |
| 5A : APX825A | 40 : 4.00 | | | |
| | 31 : 3.08 | | | |
| | 29 : 2.93 | | | |
| | 26 : 2.63 | | | |
| | 23 : 2.25 | | | |

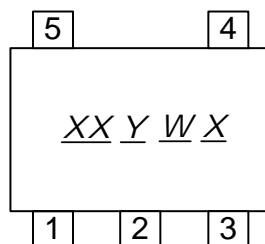
| Device | Package Code | Packaging (Note 5) | 7" Tape and Reel | |
|--|--------------|-----------------------|------------------|--------------------|
| | | | Quantity | Part Number Suffix |
|  APX823-XXW5G-7 | W5 | SOT25 | 3000/Tape & Reel | -7 |
|  APX824-XXW5G-7 | W5 | SOT25 | 3000/Tape & Reel | -7 |
|  APX825A-XXW6G-7 | W6 | SOT26 | 3000/Tape & Reel | -7 |

Notes: 5. Pad layout as shown on Diodes Inc. suggested pad layout document AP02001, which can be found on our website at <http://www.diodes.com/datasheets/ap02001.pdf>.

Marking Information

(1) SOT25

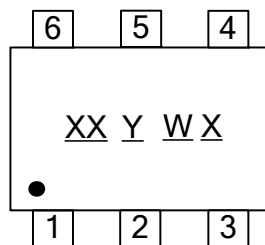
(Top View)



XX : Identification code
Y : Year 0~9
W : Week : A~Z : 1~26 week;
a~z : 27~52 week; z represents
52 and 53 week
X : A~Z : Green

(2) SOT26

(Top View)



XX : Identification code
Y : Year 0~9
W : Week : A~Z : 1~26 week;
a~z : 27~52 week; z represents
52 and 53 week
X : A~Z : Green

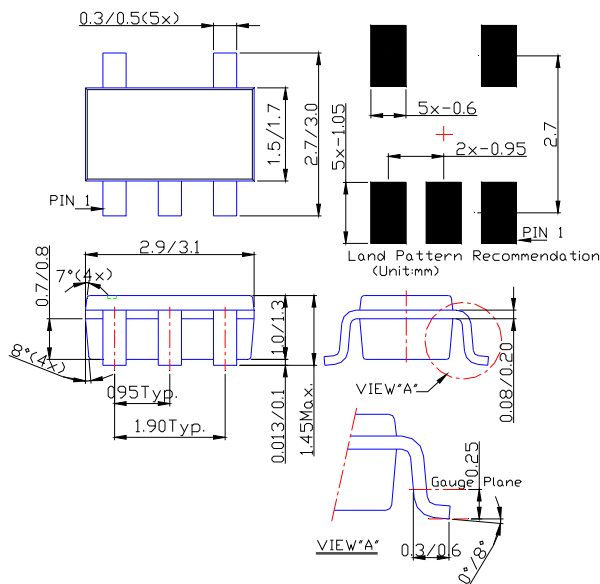
Marking Information (cont.)

Marking Table

| Device | Package Type | Identification Code |
|--------------|--------------|---------------------|
| APX823-46W5 | SOT25 | W1 |
| APX823-44W5 | SOT25 | W2 |
| APX823-40W5 | SOT25 | W3 |
| APX823-31W5 | SOT25 | W4 |
| APX823-29W5 | SOT25 | W5 |
| APX823-26W5 | SOT25 | W6 |
| APX823-23W5 | SOT25 | W7 |
| APX824-46W5 | SOT25 | T2 |
| APX824-44W5 | SOT25 | T3 |
| APX824-40W5 | SOT25 | T4 |
| APX824-31W5 | SOT25 | T5 |
| APX824-29W5 | SOT25 | T6 |
| APX824-26W5 | SOT25 | T7 |
| APX824-23W5 | SOT25 | T8 |
| APX825A-46W6 | SOT26 | T9 |
| APX825A-44W6 | SOT26 | TA |
| APX825A-40W6 | SOT26 | TB |
| APX825A-31W6 | SOT26 | TC |
| APX825A-29W6 | SOT26 | TD |
| APX825A-26W6 | SOT26 | TE |
| APX825A-23W6 | SOT26 | TF |

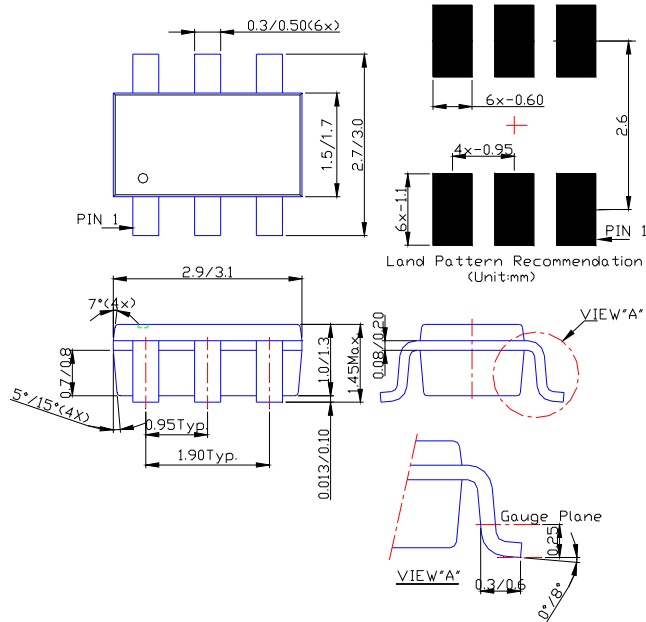
Package Outline Dimensions (All Dimensions in mm)

(1) Package Type: SOT25



Package Outline Dimensions (cont.) (All Dimensions in mm)

(2) Package Type: SOT26



Notes: 6. Package outline dimensions as shown on Diodes Inc. package outline dimensions document AP02002, which can be found on our website at <http://www.diodes.com/datasheets/ap02002.pdf>

IMPORTANT NOTICE

DIODES INCORPORATED MAKES NO WARRANTY OF ANY KIND, EXPRESS OR IMPLIED, WITH REGARDS TO THIS DOCUMENT, INCLUDING, BUT NOT LIMITED TO, THE IMPLIED WARRANTIES OF MERCHANTABILITY AND FITNESS FOR A PARTICULAR PURPOSE (AND THEIR EQUIVALENTS UNDER THE LAWS OF ANY JURISDICTION).

Diodes Incorporated and its subsidiaries reserve the right to make modifications, enhancements, improvements, corrections or other changes without further notice to this document and any product described herein. Diodes Incorporated does not assume any liability arising out of the application or use of this document or any product described herein; neither does Diodes Incorporated convey any license under its patent or trademark rights, nor the rights of others. Any Customer or user of this document or products described herein in such applications shall assume all risks of such use and will agree to hold Diodes Incorporated and all the companies whose products are represented on Diodes Incorporated website, harmless against all damages.

Diodes Incorporated does not warrant or accept any liability whatsoever in respect of any products purchased through unauthorized sales channel.

Should Customers purchase or use Diodes Incorporated products for any unintended or unauthorized application, Customers shall indemnify and hold Diodes Incorporated and its representatives harmless against all claims, damages, expenses, and attorney fees arising out of, directly or indirectly, any claim of personal injury or death associated with such unintended or unauthorized application.

Products described herein may be covered by one or more United States, international or foreign patents pending. Product names and markings noted herein may also be covered by one or more United States, international or foreign trademarks.

LIFE SUPPORT

Diodes Incorporated products are specifically not authorized for use as critical components in life support devices or systems without the express written approval of the Chief Executive Officer of Diodes Incorporated. As used herein:

A. Life support devices or systems are devices or systems which:

1. are intended to implant into the body, or
2. support or sustain life and whose failure to perform when properly used in accordance with instructions for use provided in the labeling can be reasonably expected to result in significant injury to the user.

B. A critical component is any component in a life support device or system whose failure to perform can be reasonably expected to cause the failure of the life support device or to affect its safety or effectiveness.

Customers represent that they have all necessary expertise in the safety and regulatory ramifications of their life support devices or systems, and acknowledge and agree that they are solely responsible for all legal, regulatory and safety-related requirements concerning their products and any use of Diodes Incorporated products in such safety-critical, life support devices or systems, notwithstanding any devices- or systems-related information or support that may be provided by Diodes Incorporated. Further, Customers must fully indemnify Diodes Incorporated and its representatives against any damages arising out of the use of Diodes Incorporated products in such safety-critical, life support devices or systems.

Copyright © 2011, Diodes Incorporated

www.diodes.com